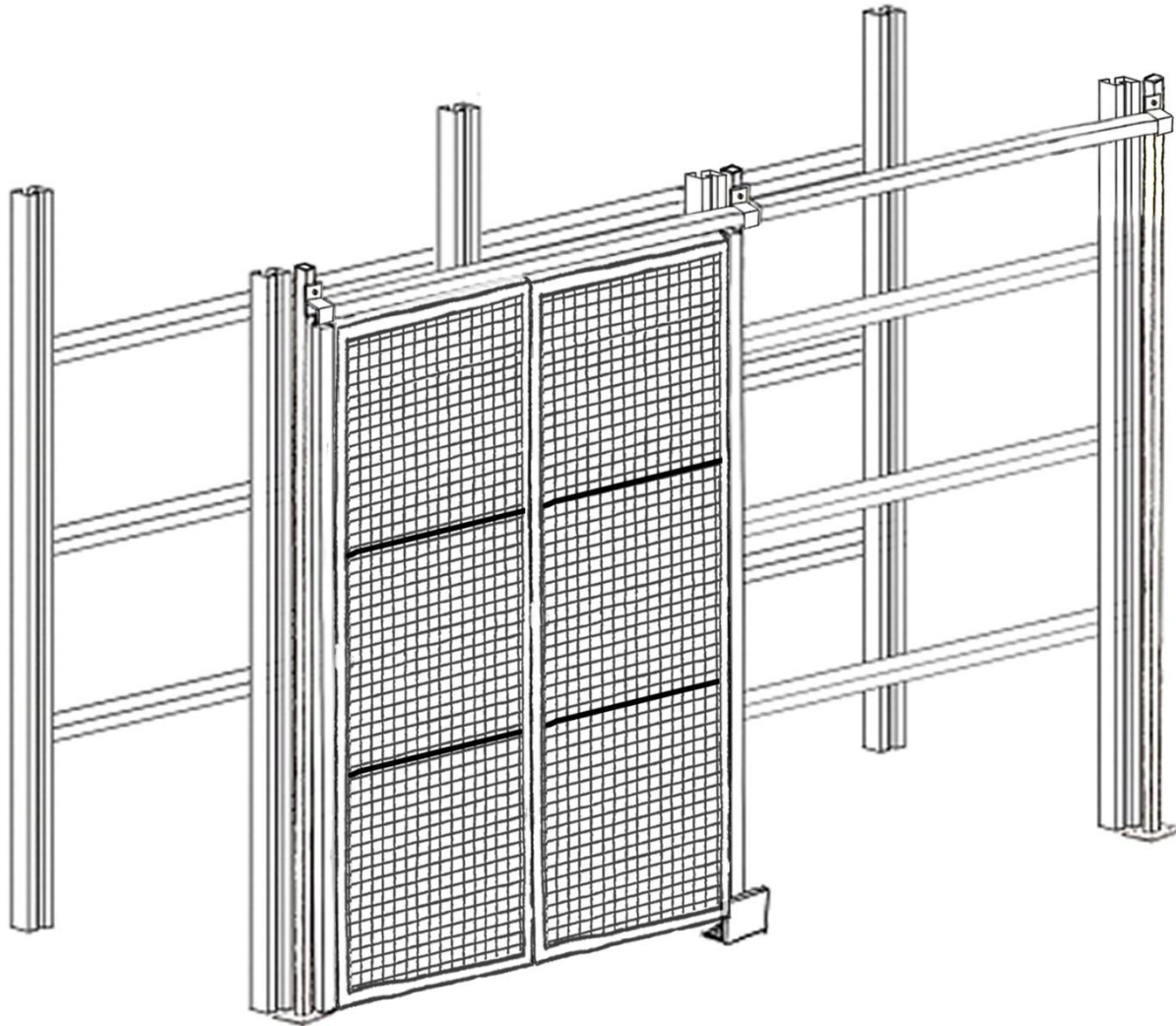


INSTALLATION MANUAL

For the most current release of this manual,
please visit our website at cogan.com

V.2015.2



Product	Safegarde® Partition
Sub-product	Sliding gate for racking

- Equipped with a padlock hasp.
- Free standing or braced to racking, refer to installation drawings for specific post design.
- Fully-suspended design including a galvanized heavy duty track and trolleys.

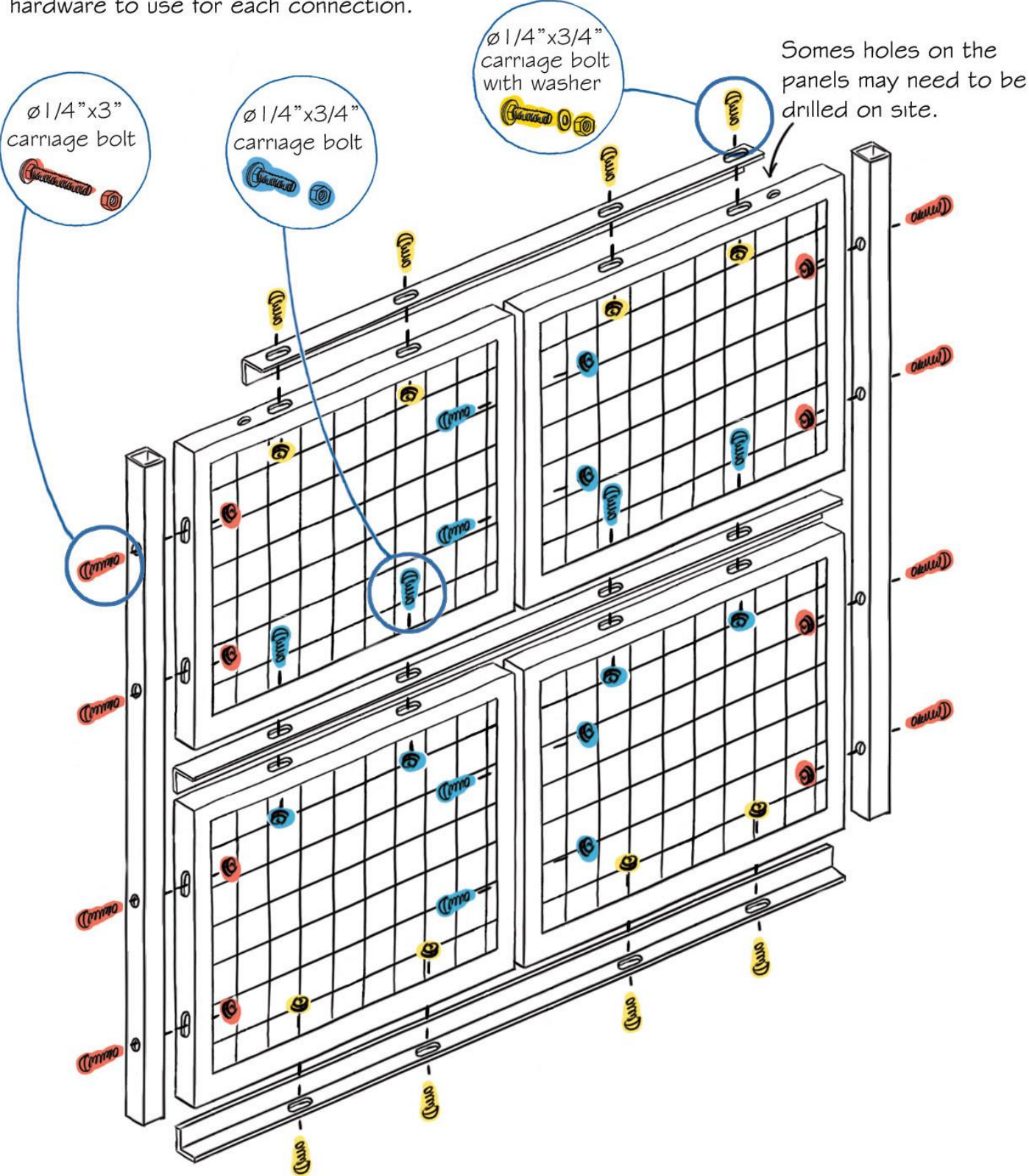


A Tradition of Quality Since 1901

cogan.com

TYPICAL CONNECTION / ASSEMBLY DETAIL

Please refer to the illustrations below for the assembly of your gate and the proper hardware to use for each connection.



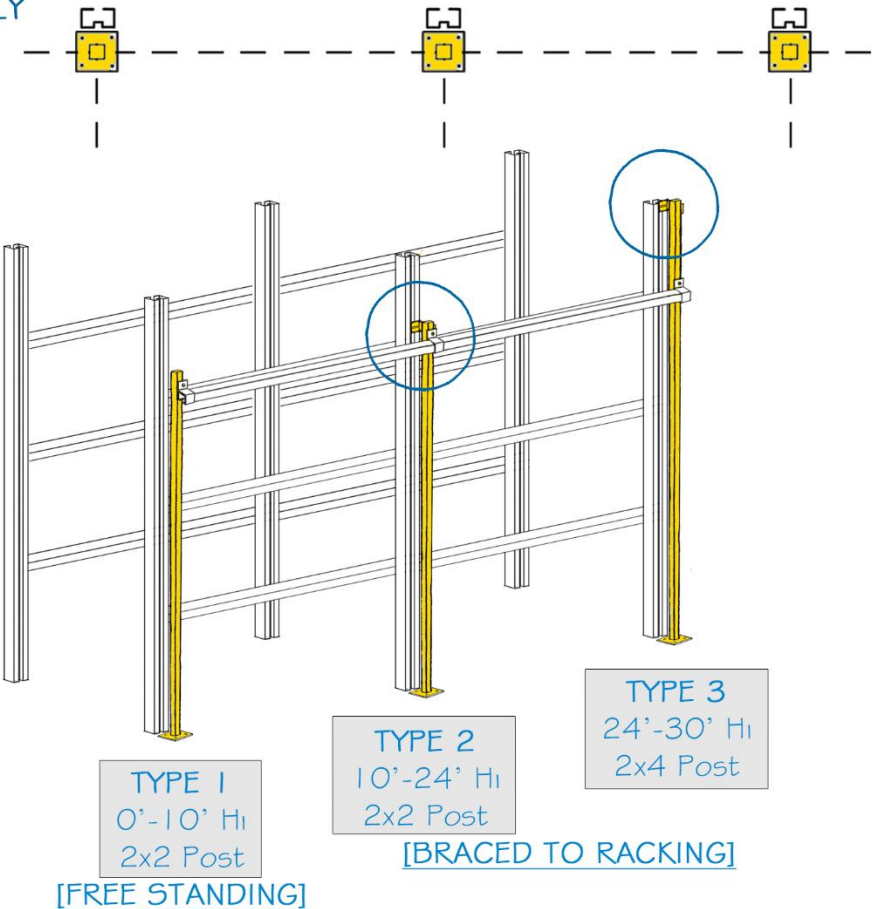
STEP 1

CENTERLINES AND POST ASSEMBLY

Using a chalk line, mark out the centerlines of each post. (refer to installation drawings)

3 types of post are available. Refer to your installation drawings to know which one is included.

PLAN VIEW OF RACKING

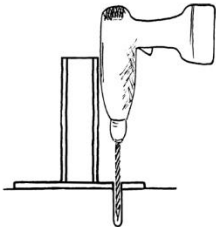


FOR TYPE 1, 2 & 3
ANCHORING

Anchor the base plates type 1 & 2 using 3/8" x 2 3/4" and for type 3, 5/8" x 4 1/2" wedge bolt anchors (not provided).

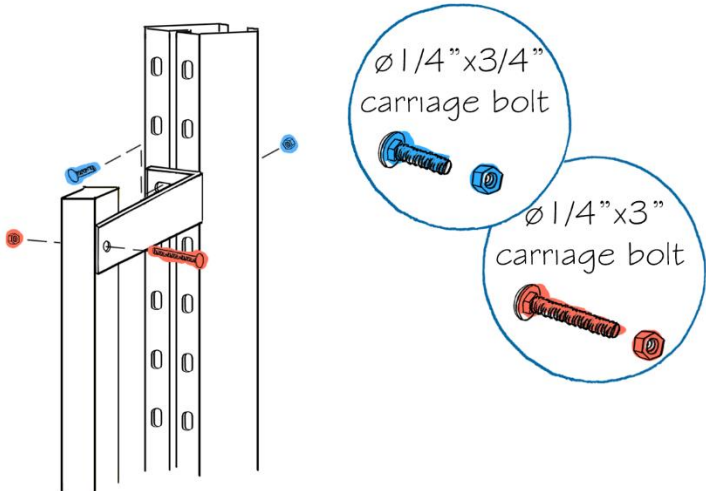


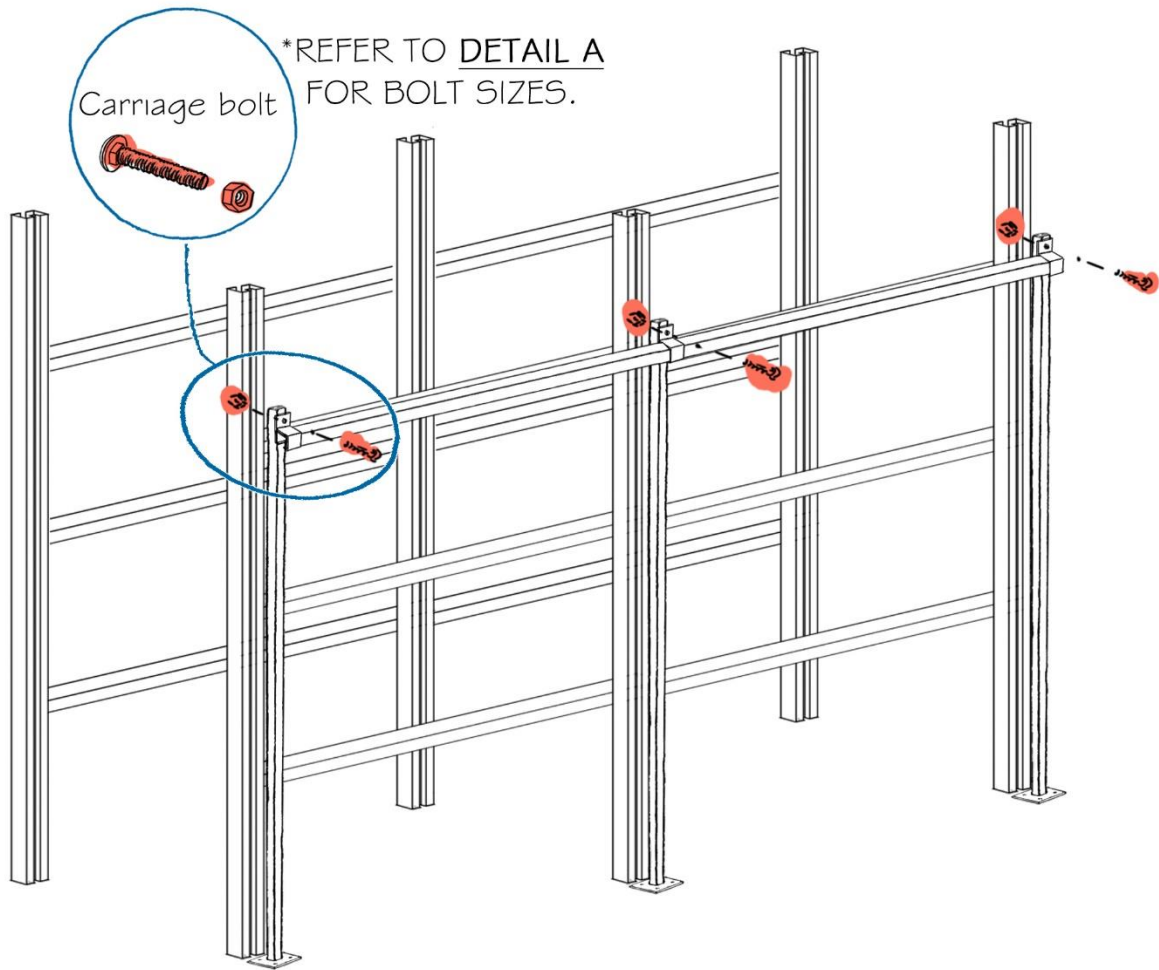
Hammer drill a hole with the same nominal diameter and at least as deep as the length of the anchor



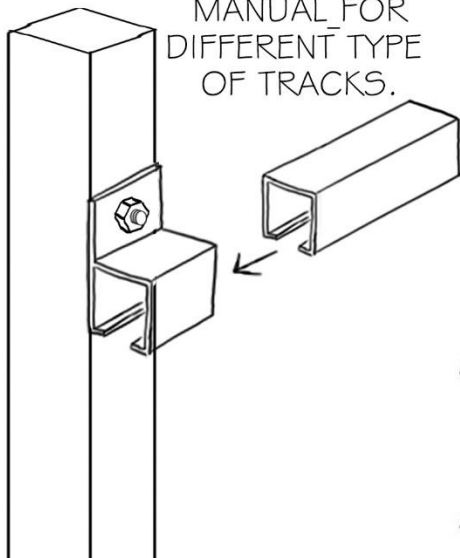
FOR TYPE 1, 2 & 3
BRACED TO RACKING

Bolt the bracket on the racking upright first, then on the post.





NOTE: REFER TO DETAIL A
AT THE END OF THE
MANUAL FOR
DIFFERENT TYPE
OF TRACKS.



STEP 2 BRACKETS AND TRACKS

Slide the tracks into the brackets by making sure tracks arrives flush with the outside edge of the end brackets on each extremities. Two adjoining tracks are centered within a central bracket. See your installation drawings for details.



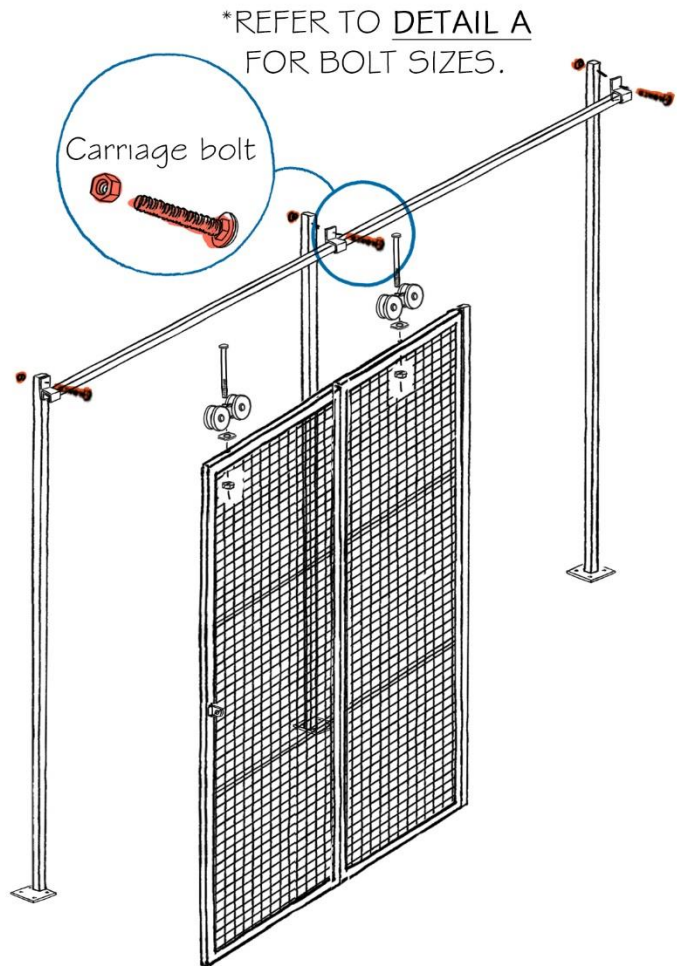
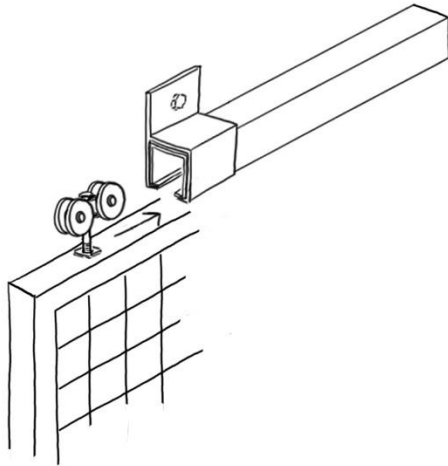
Drill the posts and bolt the brackets to each post using $\varnothing 1/4$ " x 3" carriage bolts. Make sure the track is leveled. Refer to DETAIL A.



Single gate should be installed in front of the posts. If double tracks are included, fasten one bracket on the front and one on the back of the post using the same carriage bolt.

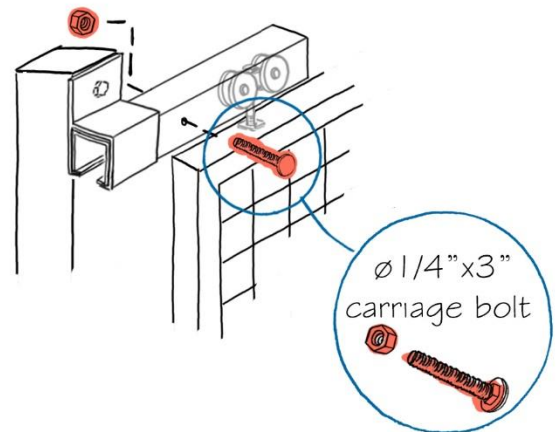
STEP 3 INSTALL TROLLEY

Install trolley assembly into predrilled holes on top of the door frame. Leave a 1" clearance between the top of door and bottom of wheels. Slide the assembled door into track.



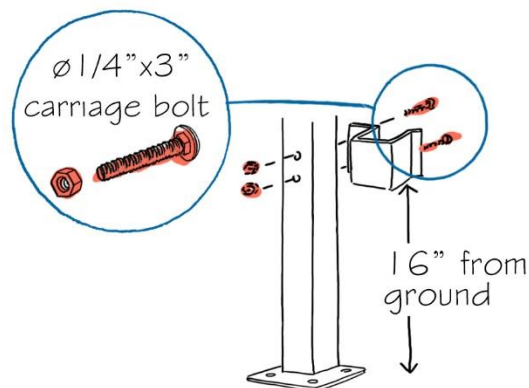
STEP 4 SECURE TROLLEY

Once the trolleys are placed in the track, slide the door to fully clear the opening. Insert a carriage bolt directly beside the last trolley wheel to prevent the door from slipping out of the track. Repeat the same process on the other side. Slide the door shut to close the opening, allowing it to rest on the door stopper. Insert a carriage bolt directly beside the first trolley wheel.



STEP 5 DOOR STOPPER

Bolt the stopper centered on the side of the post where the door closes.

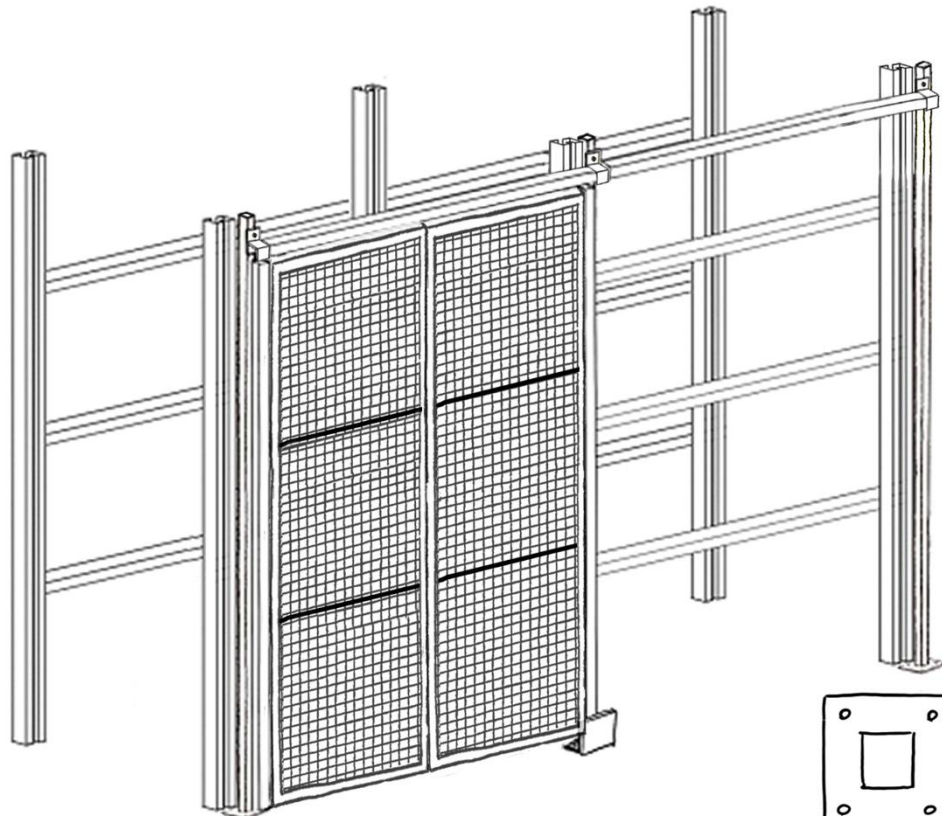
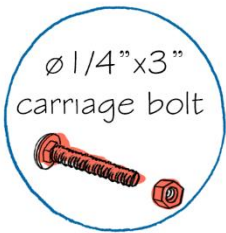
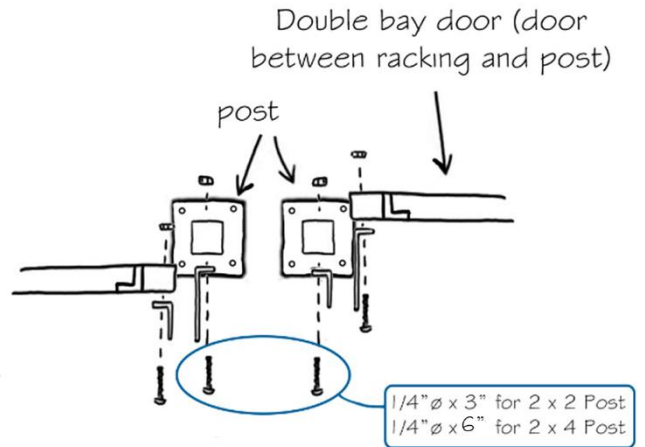


STEP 6

PADLOCK HASPS AND HANDLE

Fasten both padlock hasp using $\phi 1/4"$ x 3" carriage bolts.

See plan view for hasp details.



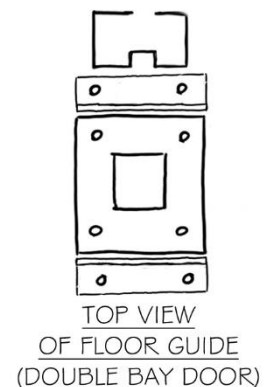
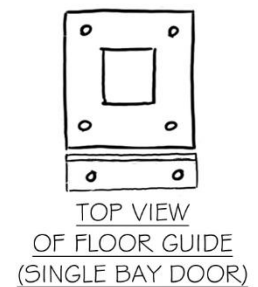
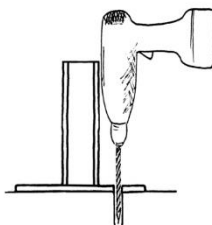
STEP 7

FLOOR GUIDE

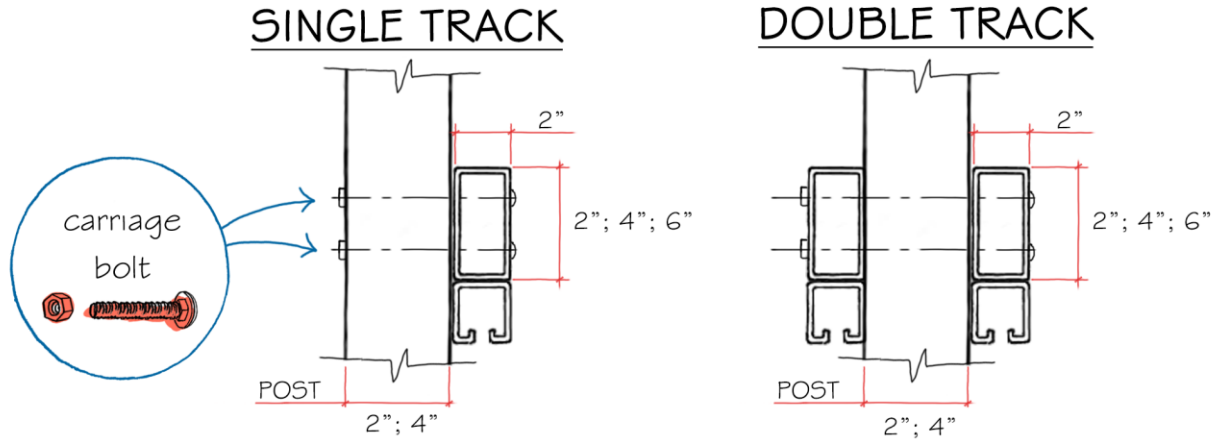
Close the door and put in place the floor guide around the base plate by making sure the gate is centered between the post and the floor guide.

Anchor the floor guide using $3/8"$ x $2 3/4"$ wedge bolt anchors (not provided).

Hammer drill a hole with the same nominal diameter and at least as deep as the length of the anchor



DETAIL A



SINGLE TRACK				
TRACK \ POST	2x2	2x2	2x4	2x6
2x2	1 Screw 1/4"Ø x 3"	1 Screw 3/8"Ø x 5"	2 Screw 3/8"Ø x 5"	2 Screw 3/8"Ø x 5"
2x4	1 Screw 3/8"Ø x 5"	1 Screw 3/8"Ø x 7"	2 Screw 3/8"Ø x 7"	2 Screw 3/8"Ø x 7"

DOUBLE TRACK				
TRACK \ POST	2x2	2x2	2x4	2x6
2x2	1 Screw 1/4"Ø x 3"	1 Screw 3/8"Ø x 7"	2 Screw 3/8"Ø x 7"	2 Screw 3/8"Ø x 7"
2x4	1 Screw 3/8"Ø x 7"	1 Screw 3/8"Ø x 9"	2 Screw 3/8"Ø x 9"	2 Screw 3/8"Ø x 9"